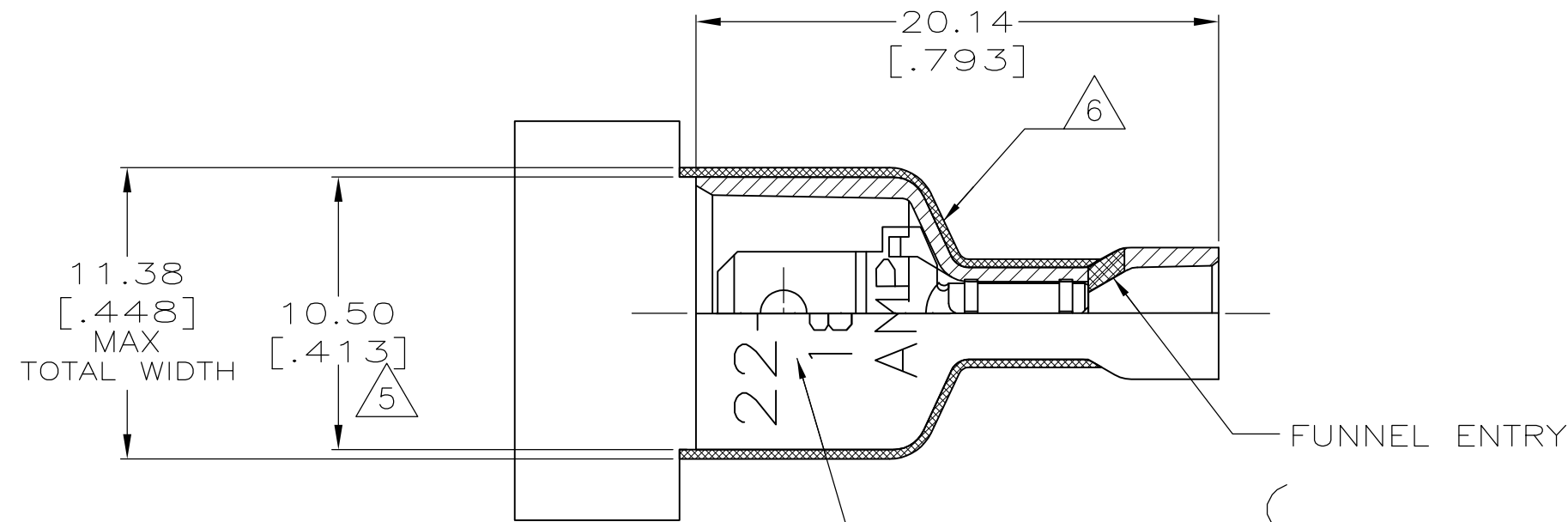
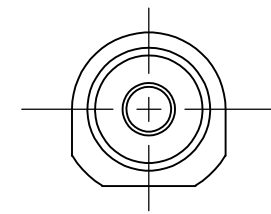
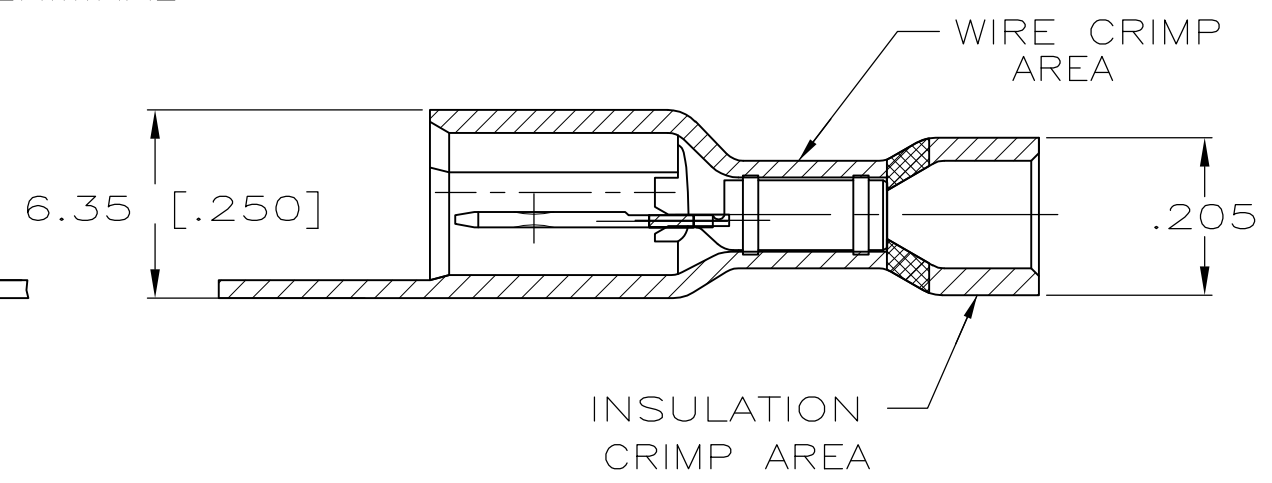
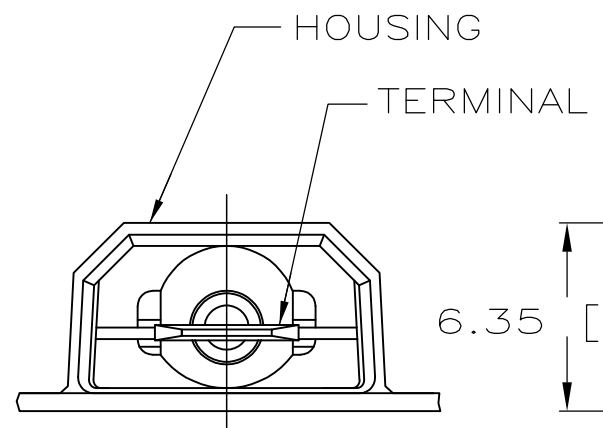


THIS DRAWING IS UNPUBLISHED. RELEASED FOR PUBLICATION
 © COPYRIGHT - By - ALL RIGHTS RESERVED.

LOC	DIST	REVISIONS			
P	LTR	DESCRIPTION	DATE	DWN	APVD
AF	50	E	REVISED PER ECR-13-004343	30JUL13	KH KR



- 1 TAB DIMENSIONS 0.51±0.025 X 4.75
[.020±.001 X .187]
- 2 WIRE STRIP LENGTH 7.14 [.281]
- 3 INSULATION SIZE IS 1.52-3.43
[.060-.135] DIA.
- 4 CONTINUOUS STRIP ON REELS
- △5 DIMENSION DOES NOT INCLUDE TRIM BURR
- △6 0.38 [.015] MAX CARRIER TRIM BURR PER
SIDE IS ALLOWABLE IN THE SHADED AREA



HOUSING: NYLON, COLOR-RED TRANSLUCENT TAB: BRASS, TIN	2-521360-2
MATERIAL & FINISH	PART NUMBER

THIS DRAWING IS A CONTROLLED DOCUMENT.	
DIMENSIONS: mm [INCHES]	TOLERANCES UNLESS OTHERWISE SPECIFIED:
	0 PLC ± -
	1 PLC ± -
	2 PLC ± 0.38 [.015]
	3 PLC ± -
	4 PLC ± -
ANGLES ± -	
MATERIAL SEE TABLE	FINISH SEE TABLE

DWN JR RUTH 02NOV00	TE Connectivity			
CHK MS FEHER 02NOV00				
APVD J HUMMEL 02NOV00	NAME			
PRODUCT SPEC 108-2017	TAB ASSEMBLY, ULTRA-FAST, PLUS, 4.75 [.187] SERIES, 22-18 AWG			
APPLICATION SPEC 114-2123	SIZE	CAGE CODE	DRAWING NO	RESTRICTED TO
WEIGHT -	A3	00779	C-521360	-
CUSTOMER DRAWING		SCALE 4:1	SHEET 1 OF 1	REV E